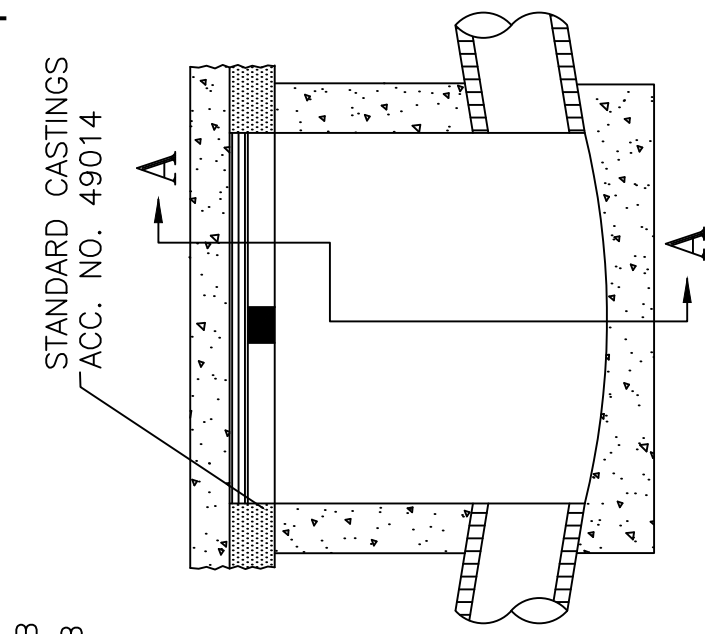
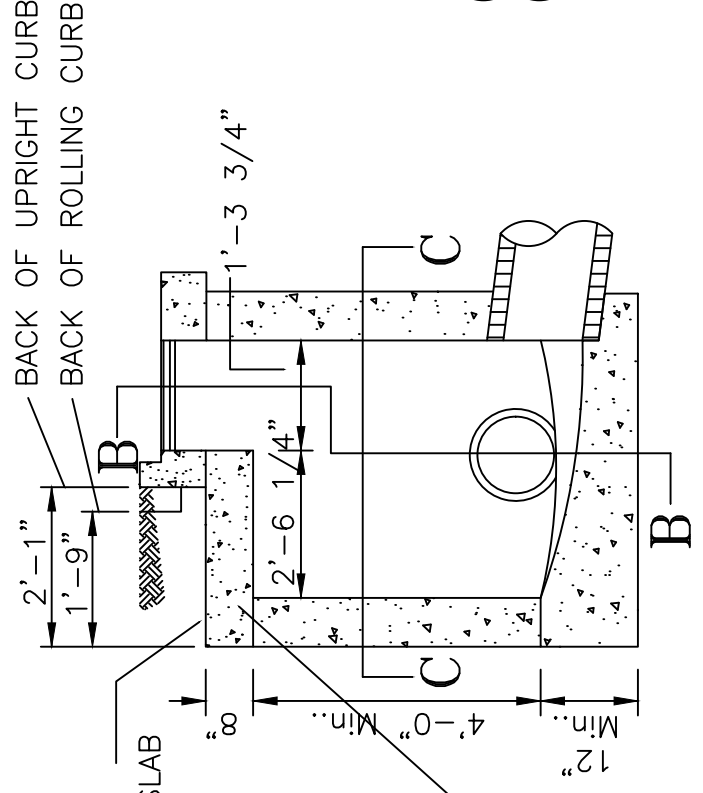




1

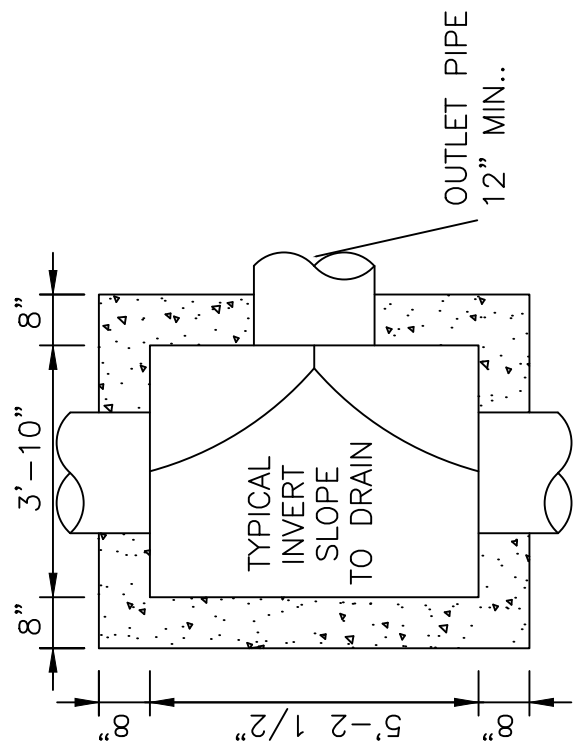


SECTION B-B



SECTION A-A

- 10 - #5 BARS @ 3" O.C. 5'-10" LONG
- 9 - #5 BARS @ 3" O.C. 2'-8" LONG
- BOTTOM CLEARANCE 2"



SECTION C-C

### General SMU Notes

1. Inlet chambers shall be precast or made from concrete block in accordance with latest ODOT CMS, City Supplement specifications, and SMU drawings.
2. All structures must meet standard inside dimensions.
3. Block chambers shall be made from solid slab blocks.
4. Mortar joints shall be a minimum of 3/8".
5. Block walls shall be skim coated with a minimum 1/8" mortar.
6. Casting shall be set in a bed of mortar.
7. Block floors are not permitted.
8. Precast box shall be set on a bed of 6" compacted #57 stones with the floor poured to match flow lines.
9. Concrete floors shall be a minimum of 6" thick.
10. Precast walls shall be a minimum 6" thick.
11. All risers shall be sealed with 2 rows of Con-seal. One interior and one exterior.
12. Pipes shall not enter within 8" of an inside corner.
13. Outlet pipe shall be flush with wall or protrude no more than 1".
14. For incoming conduits with diameter of 8" and smaller see Acc. # 120340.
15. For standard casting, see Acc. # 49017.
16. For standard reinforcing steel notes see Acc. # 49010.
17. Inlet connections in a cone section are not permitted.
18. No more than 2 inlet connections spaced 2' +/- apart horizontally in a 3' or 4' manhole section.
19. Hubs inside of any structure are not permitted.
20. All reinforcing bars shall clear interior face of wall by 2".
21. For installation of risers, a 1" tolerance in either direction is permitted.
22. Protrusions for inlet pipes shall be a minimum of 1" and a maximum of 2".

23. All pipes shall be set in a bed of mortar, dry fitting is not permitted.
24. Pipe edges shall be smooth. No jagged edges are permitted.
25. Shop drawings for precast structures must be approved prior to work commencing.
26. No knockouts are permitted.
27. No steps are permitted.
28. All penetrations shall be manufactured or cored and shall not exceed 4" greater than the conduit's outside diameter.
29. Shims are not permitted.

### Double Gutter Inlet Manhole

1. Concrete slab shall be precast with lift holes 12" from each end. Mark top of slab.
2. Manhole inlet structures are to be used when there is a pipe flow into the structure.

WALL HORIZONTAL REINFORCING STEEL	
DEPTH	BAR SPACING
4' TO 8'	#5 @ 16"
8' TO 12'	#5 @ 12"
12' TO 16'	#5 @ 8"



*Eric Bayler*